

TUUCI mercury lounge assembly instructions

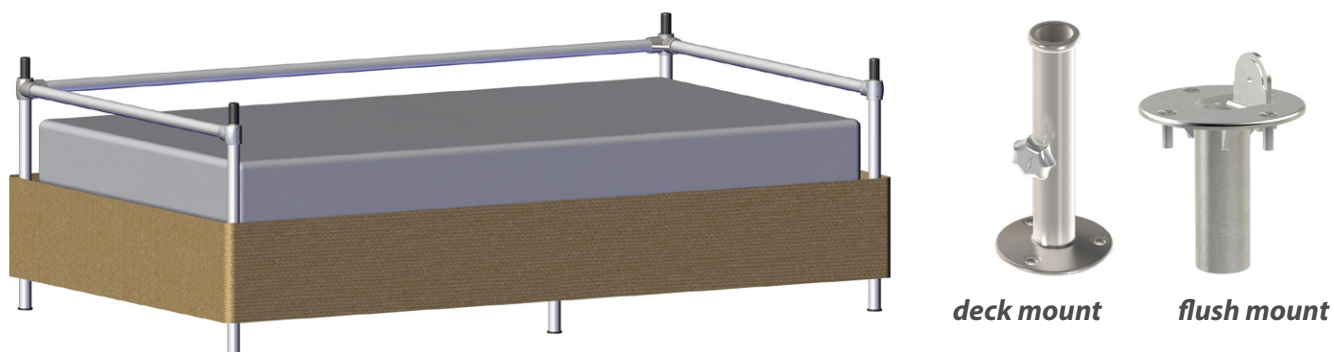


global mission control

2900 NW 35th Street, Miami, FL 33142 USA / 305.634.5116
info@tuuci.com

base placement

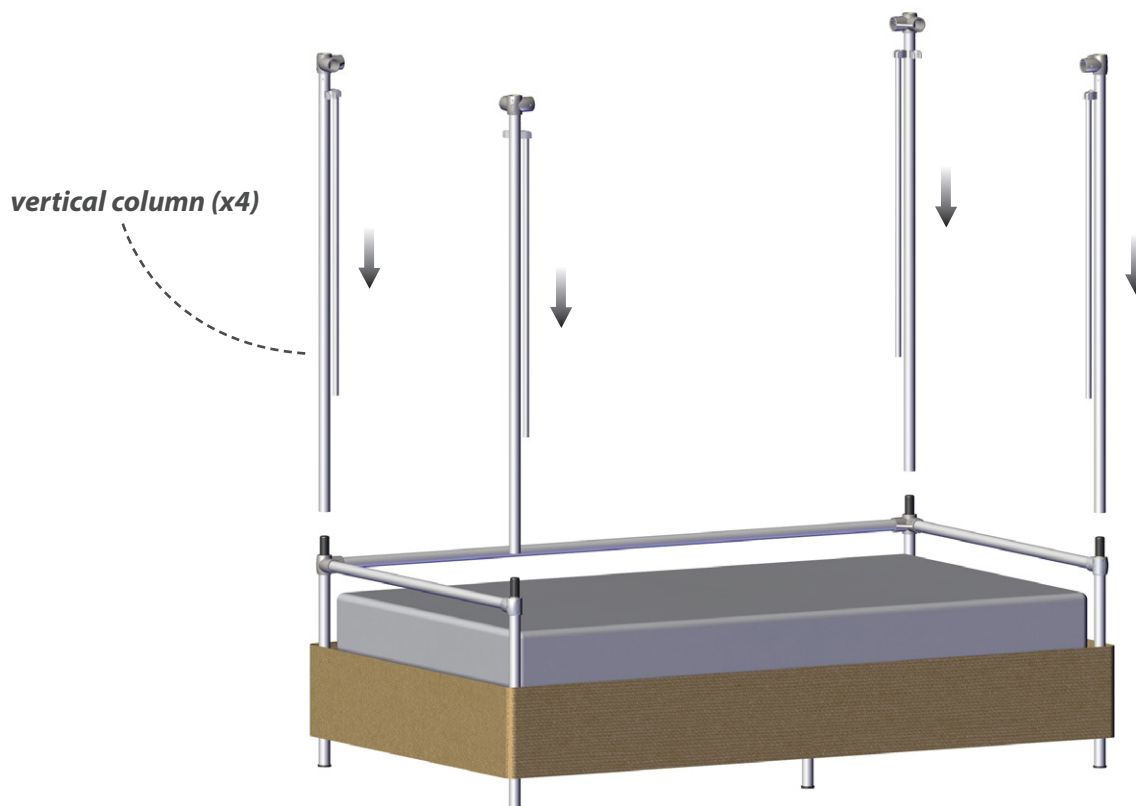
Before assembling and installing top frame and canopy, secure bottom frame to the bases.
If using deck mounts or flush mounts
inquire at: www.tuuci.com/collections/bases/ (PDF downloads instructions)



upper frame installation

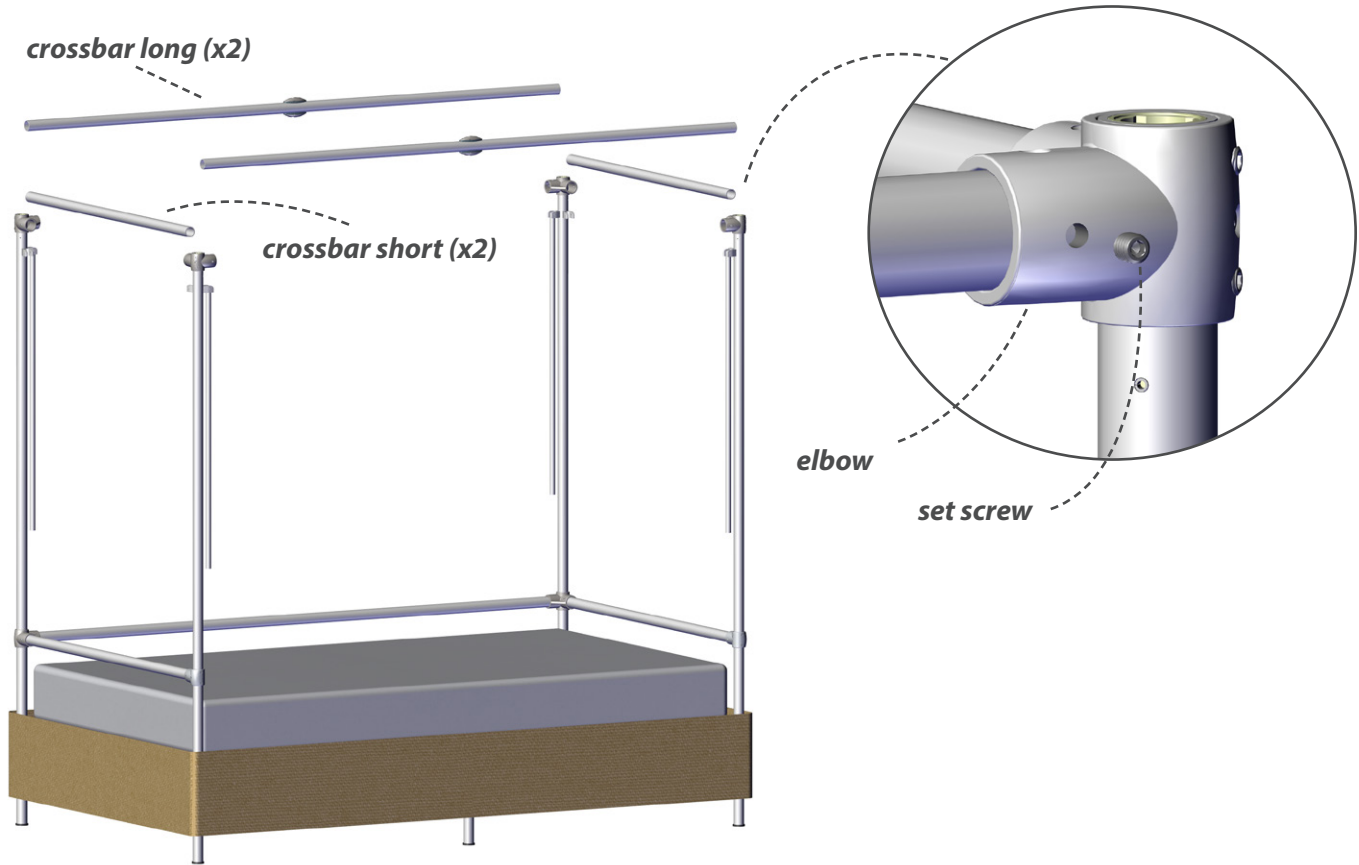
Step 1

Insert vertical columns, do not tighten screws until upper frame is installed.



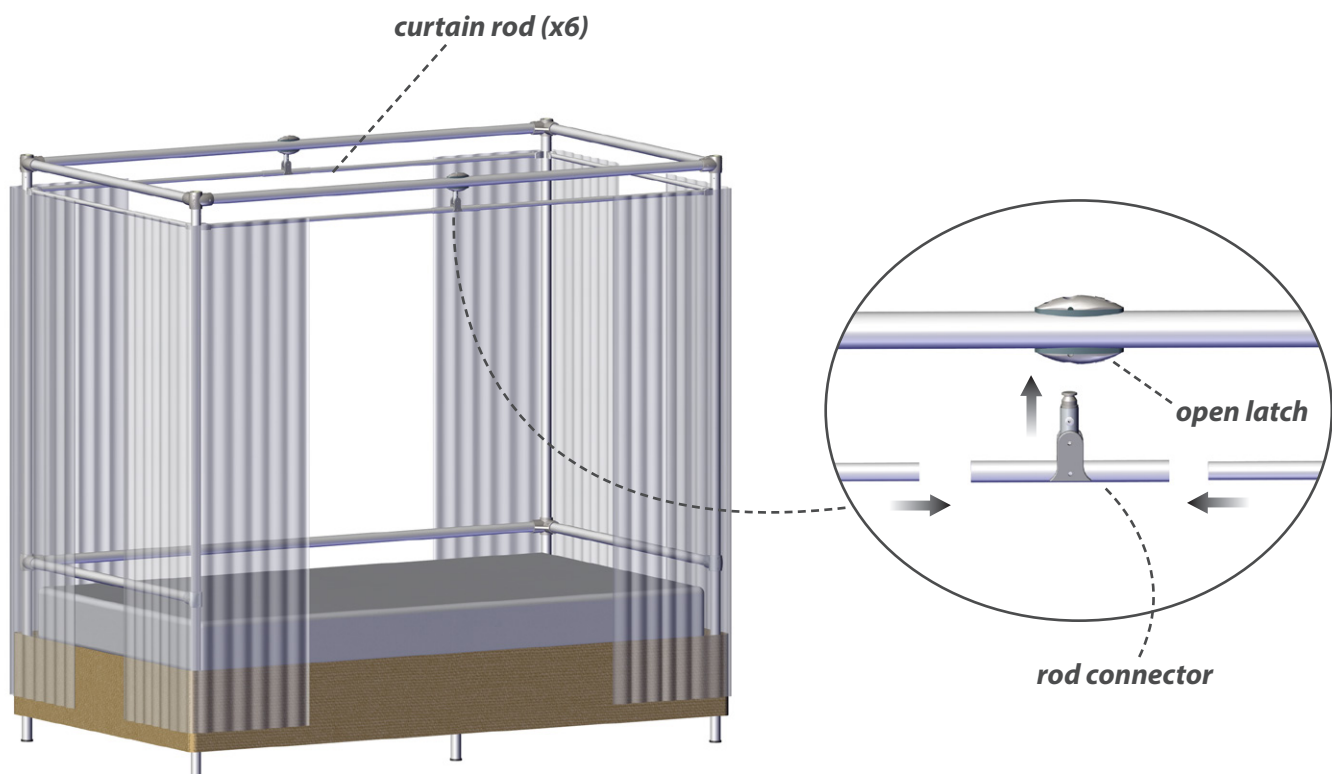
Step 2

Insert crossbars inside elbows and tighten with set screws (all corners)



Step 3

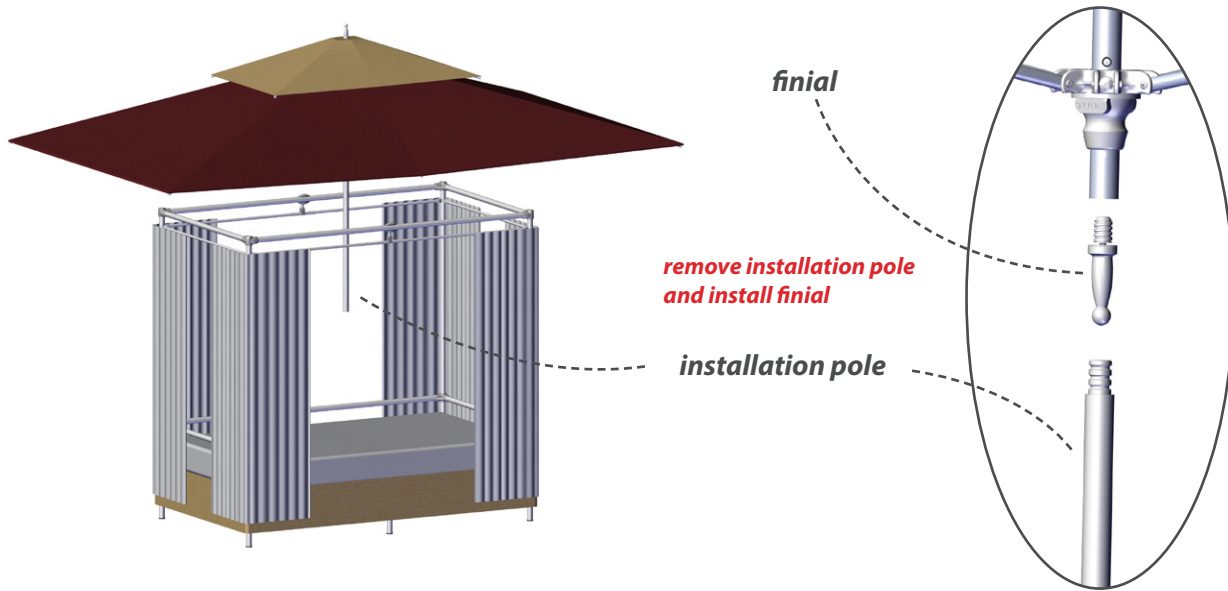
Insert curtains on curtain rods and hitch rod connector to latch bracket.



Canopy Frame Installation

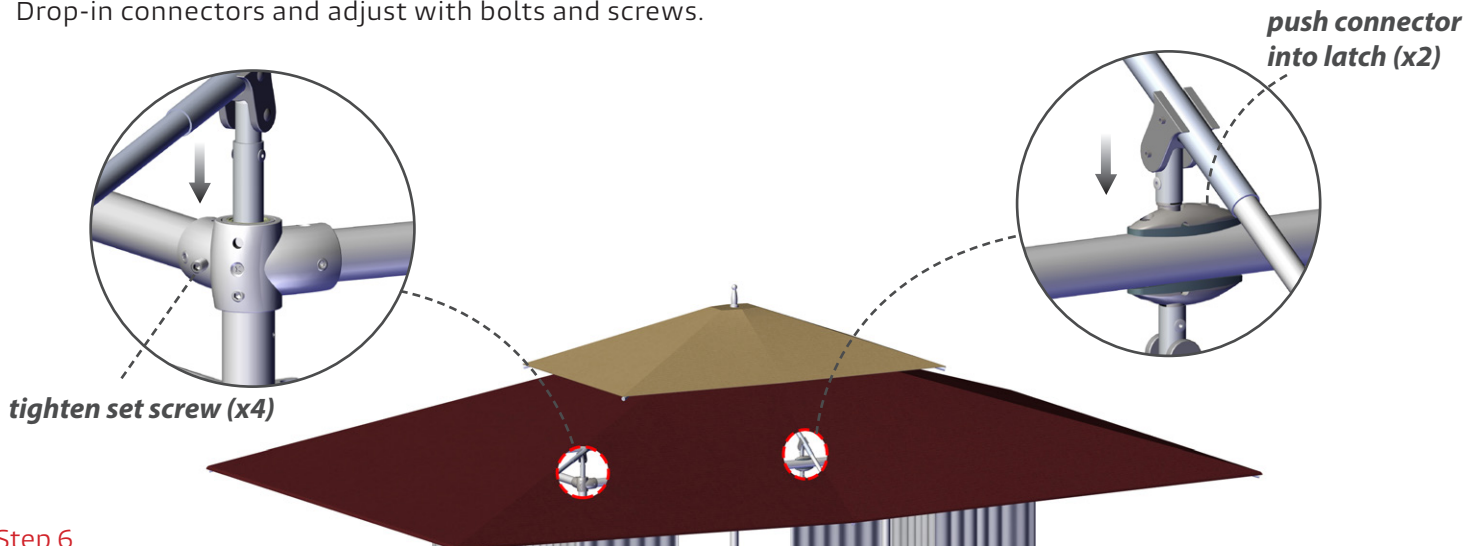
Step 4

Use installation pole to drop canopy frame onto lower frame.
Once the canopy has been installed, remove installation pole and install finial.



Step 5

Drop-in connectors and adjust with bolts and screws.



Step 6

Tighten all elbows corner screws

